



ALVAN BLANCH

Processing the World's Crops

PELLET CRUMBLER

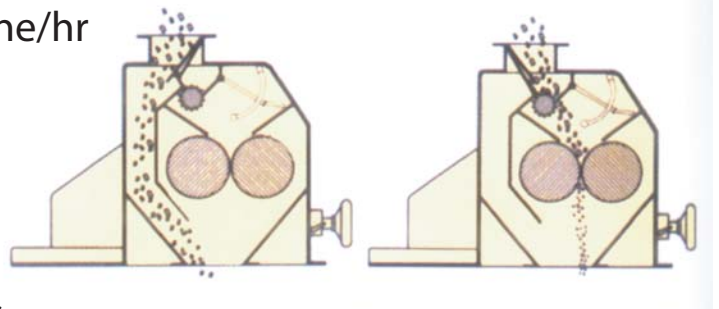


AB Choice of 4 models - 5 to 25 tonne/hr

AB Precision fluted rolls

AB Inbuilt pellet bypass

AB Easily adjustable crumb fineness



Model	PC 20 x 80	PC 24 x 110	PC 24 x 165	PC 30x 180
Capacity (t/h)	5-8	10	20	25
Power (kW)	7.5	7.5	15	22

In accordance with our policy of continuous development, we reserve the right to change specifications and prices at any time without notice or incurring liability to purchasers.
All goods supplied according to our published terms and conditions of sale (copies on application)

Alvan Blanch dev. co. ltd.

Chelworth Malmesbury Wiltshire SN16 9SG England

TELEPHONE: 01666 577333

FACSIMILE: Sales/Admin 01666 577339 Production 01666 577263

EMAIL: info@alvanblanch.co.uk WEB: www.alvanblanch.co.uk