



ALVAN BLANCH

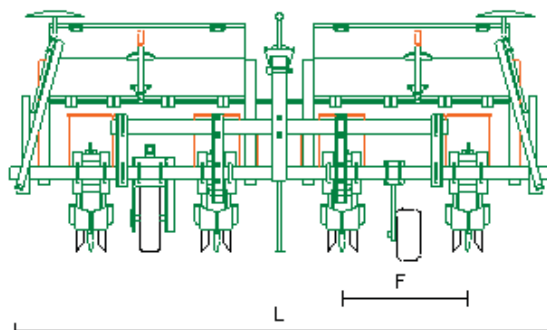
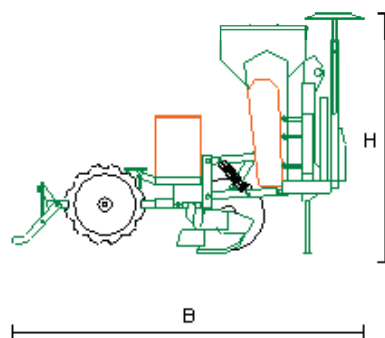
Processing the World's Crops

PRECISION SEEDER



Models AMP

MODEL		AMP2	AMP3	AMP4	AMP5	AMP6
TECHNICAL DETAILS	SYMBOL	2 UNITS	3 UNITS	4 UNITS	5 UNITS	6 UNITS
TOTAL LENGTH	L (mm)	2000	2100	2550	3000	3450
TOTAL WIDTH	B (mm)	1800	1800	1800	1800	1800
TOTAL HEIGHT	H (mm)	1300	1300	1300	1300	1300
SPACE OF TINES	F (cm)	35-75	35-75	35-75	35-75	35-75
FERTILIZER BOX VOLUME	Dm ³	137 Dm ³	160 Dm ³	183 Dm ³	114 Dm ³ x2 228 Dm ³	137 Dm ³ x2 274 Dm ³
GRAIN BOX VOLUME	Dm ³	15.2 Dm ³ x2 30.4 Dm ³	15.2 Dm ³ x3 45.6 Dm ³	15.2 Dm ³ x4 60.8 Dm ³	15.2 Dm ³ x5 76.0 Dm ³	15.2 Dm ³ x5 91.2 Dm ³
FERTILIZER CASE VOLUME	Kg	130	155	180	110 x2 220	135 x2 270
SEED CASE VOLUME	Kg	11x2 22	11x3 33	11x4 44	11x5 55	11x6 66
PENETRATION DEPTH OF PLATES	Cm.	0-10	0-10	0-10	0-10	0-10
TOTAL WEIGHT(FERTILIZED)	Kg.	380	500	620	700	800
TOTAL WEIGHT(NON FERTILIZED)	Kg.	300	400	500	540	640



In accordance with our policy of continuous development, we reserve the right to change specifications and prices at any time without notice or incurring liability to purchasers. All goods supplied according to our published terms and conditions of sale (copies on application)



Chelworth Malmesbury Wiltshire SN16 9SG England
 TELEPHONE: 01666 577333
 FACSIMILE: Sales/Admin 01666 577339 Production 01666 577263
 EMAIL: info@alvanblanch.co.uk